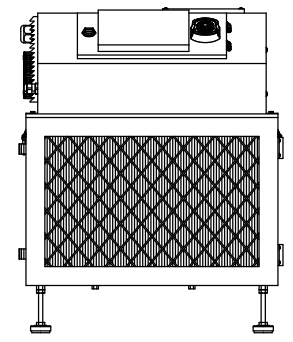
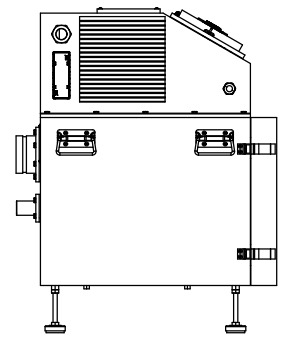
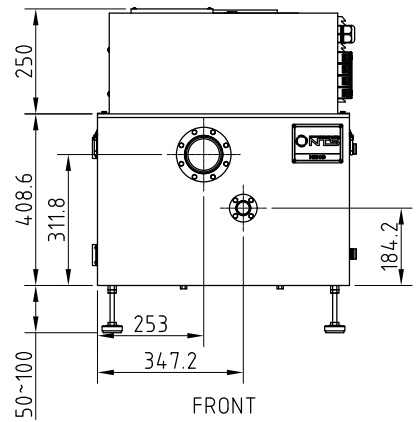
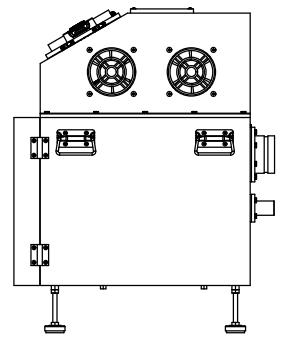
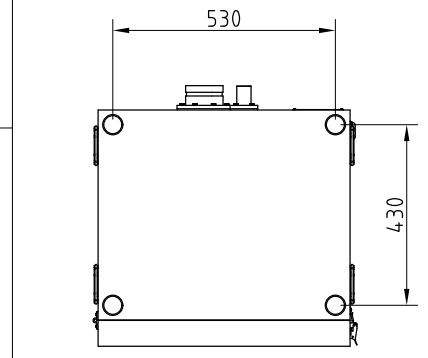
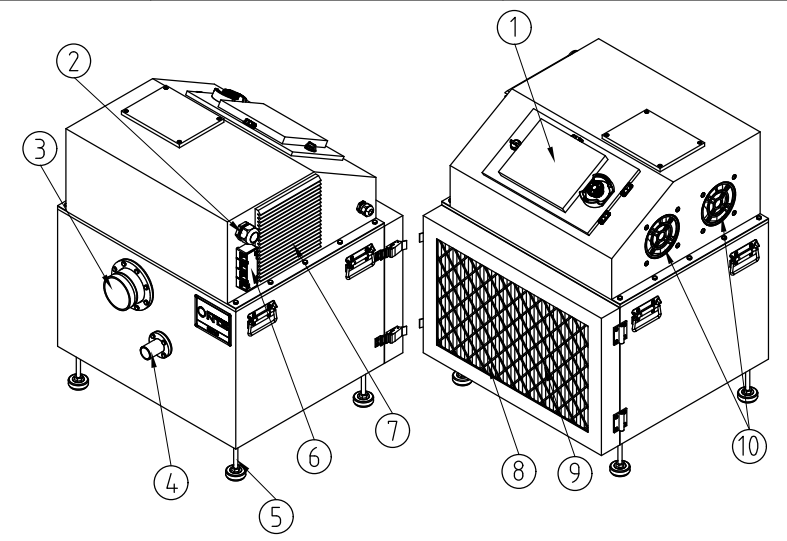
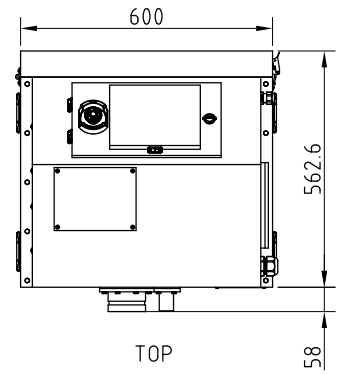


REV	DESCRIPTION	DATE	PREPARED	APPROVED
1				

No.	Part Name	Standard
①	Touch Screen	7 Inch
②	Cable Grand	PG29
③	Main Discharge Pipe	KS 80A
④	Cooling Pipe	KS 25A
⑤	Leveling Foot	M10 100L
⑥	Terminal Block	60A 4P
⑦	Cooling Air Filter	KFC-200S
⑧	Medium Filter	530×330×50T AL
⑨	Prefilter	530×330×5T
⑩	Cooling Fan	120×120×38



Model	KW(HP)	Rated. Flow [CMM]	Rated. Pressure [mmAq]	Max. Flow [CMM]	Max. Pressure [mmAq]	Input Voltage	Weight [kg]
NTS-C-012-3000	12(16)	15	3000	21	3500	380V(3φ) 50/60hz	86
NTS-C-017-4000	17(22)	17	4000	23	4600	380V(3φ) 50/60hz	88
NTS-C-022-5000	22(30)	19	5000	25	5600	380V(3φ) 50/60hz	90

단 위 mm	도면명칭 TITLE	NTS-C BLOWER LAYOUT	
척 도 (SCALE)	설 계 DESIGNED	MODEL명	NTS-C-Ver02
1 / 1	22/04/05	도면번호 DWG. NO.	60170-C-V2-10001
삼 각 법 3RD ANGLE PROJECTION	S.K. SUNG	매 수 SHEET	1 / 1
양식 SIZE A0	관련도번 REF. NO.	Nex-D 넥스디 (주) www.nex-d.com	